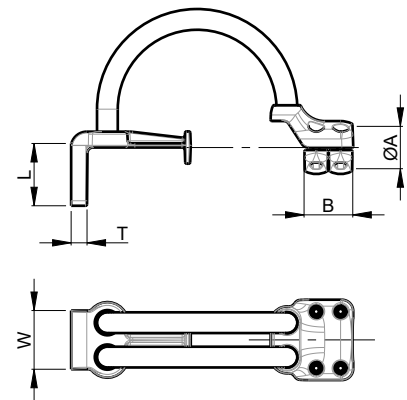
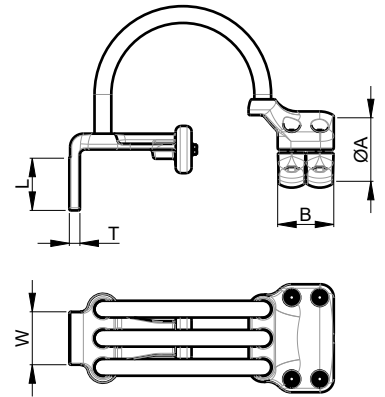


## SXAK

TUBE - PAD



OPTIONAL DELRING IN THE TROMPET FOR A BETTER MECHANICAL BEHAVIOR AND FATIGUE RESISTANCE



UP TO 400kV

**BIMET**  
CUPAL or TIN

A2-70

PAD

PART NUMBER	A	COVERS A	B	L	W	T	N° CABLES	Ø	A	BOLTS A	CURRENT [A]
SXAK.90.010	50 - 60	2	92	100	100	20	2	31,7	90	M12	2000
SXAK.90.020	50 - 60	2	92	125	125	16	2	31,7	90	M12	2000
SXAK.90.030	50 - 60	2	92	100	200	16	2	31,7	90	M12	2000
SXAK.90.040	70 - 80	2	92	100	100	25	2	39,2	90	M12	2500
SXAK.90.050	70 - 80	2	92	125	125	20	2	39,2	90	M12	2500
SXAK.90.060	70 - 80	2	92	100	200	16	2	44,8	90	M12	3200
SXAK.90.070	90 - 100	2	92	100	100	30	2	44,8	90	M12	3200
SXAK.90.080	90 - 100	2	92	125	125	25	2	44,8	90	M12	3200
SXAK.90.090	90 - 100	2	92	100	200	16	2	44,8	90	M12	3200
SXAK.90.100	120	2	106	100	100	30	2	44,8	90	M14	3200
SXAK.90.110	120	2	106	125	125	35	4	39,2	90	M14	4000
SXAK.90.120	120	2	106	100	200	20	4	39,2	90	M14	4000
SXAK.90.130	140 - 150	2	106	100	100	30	2	44,8	90	M14	3200
SXAK.90.140	140 - 150	2	106	125	125	35	4	39,2	90	M14	4000
SXAK.90.150	140 - 150	2	106	100	200	20	4	39,2	90	M14	4000
SXAK.90.160	160-170	2	106	100	100	30	2	44,8	90	M14	3200
SXAK.90.170	160-170	2	106	125	125	35	4	39,2	90	M14	4000
SXAK.90.180	160-170	2	106	100	200	20	4	39,2	90	M14	4000
SXAK.90.190	200	2	174	100	100	35	3	39,2	90	M16	3600
SXAK.90.200	200	2	174	125	125	35	4	39,2	90	M16	4000
SXAK.90.210	200	2	174	100	200	20	4	39,2	90	M16	4000
SXAK.90.220	250	2	174	100	100	35	3	39,2	90	M16	3600
SXAK.90.230	250	2	174	125	125	35	4	39,2	90	M16	4000
SXAK.90.240	250	2	174	100	200	20	4	39,2	90	M16	4000

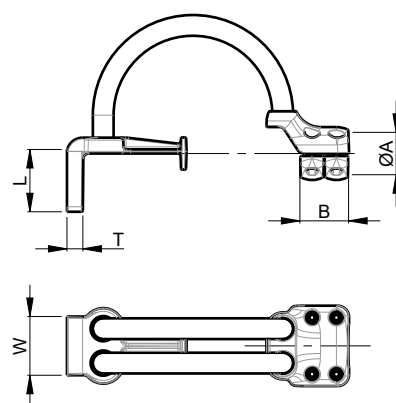
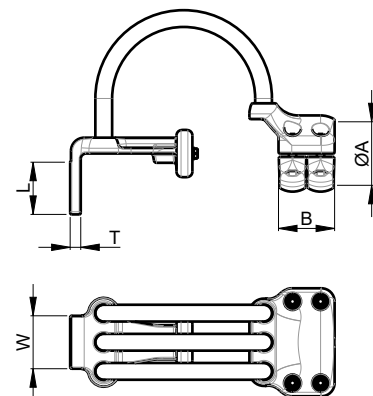


## SXAK

TUBE - PAD



OPTIONAL DELRING IN THE TROMPET FOR A BETTER MECHANICAL BEHAVIOR AND FATIGUE RESISTANCE



UP TO 400kV

BIMET  
CUPAL or TIN

A2-70

PAD

PART NUMBER	A	COVERS A	B	L	W	T	N° CABLES	Ø	A	BOLTS A	CURRENT [A]
SXAK.90.510	2"IPS (60,3mm)	2	72	100	100	20	2	31,7	90	M12	2000
SXAK.90.520	2"IPS (60,3mm)	2	72	125	125	16	2	31,7	90	M12	2000
SXAK.90.530	2"IPS (60,3mm)	2	72	100	200	16	2	31,7	90	M12	2000
SXAK.90.540	2,5"IPS (73mm)	2	72	100	100	20	2	31,7	90	M12	2000
SXAK.90.550	2,5"IPS (73mm)	2	72	125	125	16	2	31,7	90	M12	2000
SXAK.90.560	2,5"IPS (73mm)	2	72	100	200	16	2	31,7	90	M12	2000
SXAK.90.570	3"IPS (88,9mm)	2	72	100	100	25	2	39,2	90	M12	2500
SXAK.90.580	3"IPS (88,9mm)	2	72	125	125	20	2	39,2	90	M12	2500
SXAK.90.590	3"IPS (88,9mm)	2	72	100	200	16	2	39,2	90	M12	2500
SXAK.90.600	3,5"IPS (101,6mm)	2	72	100	100	30	2	44,8	90	M12	3200
SXAK.90.610	3,5"IPS (101,6mm)	2	72	125	125	25	2	44,8	90	M12	3200
SXAK.90.620	3,5"IPS (101,6mm)	2	72	100	200	16	2	44,8	90	M12	3200
SXAK.90.630	4"IPS (114,3mm)	2	72	100	100	30	2	44,8	90	M14	3200
SXAK.90.640	4"IPS (114,3mm)	2	72	125	125	25	2	44,8	90	M14	3200
SXAK.90.650	4"IPS (114,3mm)	2	72	100	200	16	2	44,8	90	M14	3200
SXAK.90.660	5"IPS (141,3mm)	2	72	100	100	30	2	44,8	90	M14	3200
SXAK.90.670	5"IPS (141,3mm)	2	72	125	125	35	4	39,2	90	M14	4000
SXAK.90.680	5"IPS (141,3mm)	2	72	100	200	20	4	39,2	90	M14	4000
SXAK.90.690	6"IPS (168,2mm)	2	72	100	100	30	3	39,2	90	M14	3200
SXAK.90.700	6"IPS (168,2mm)	2	72	125	125	35	4	39,2	90	M14	4000
SXAK.90.710	6"IPS (168,2mm)	2	72	100	200	20	4	39,2	90	M14	4000
SXAK.90.720	8"IPS (219mm)	2	72	100	100	30	3	39,2	90	M16	3200
SXAK.90.730	8"IPS (219mm)	2	72	125	125	35	4	39,2	90	M16	4000
SXAK.90.740	8"IPS (219mm)	2	72	100	200	20	4	39,2	90	M16	4000

